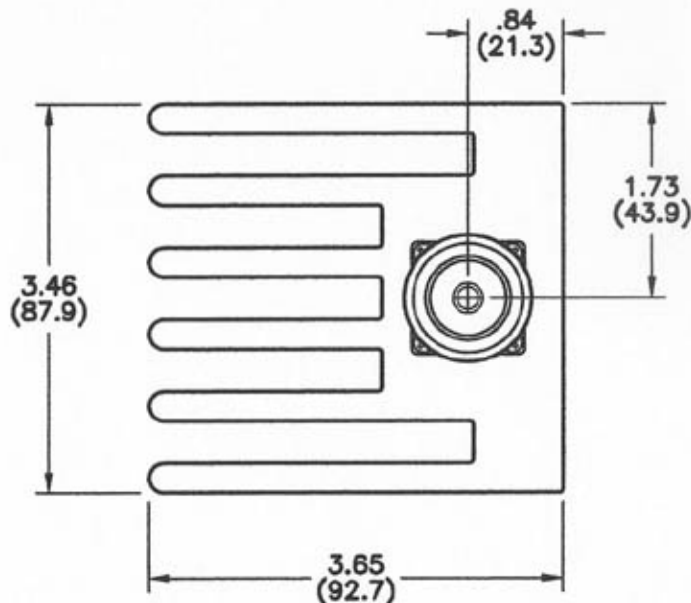
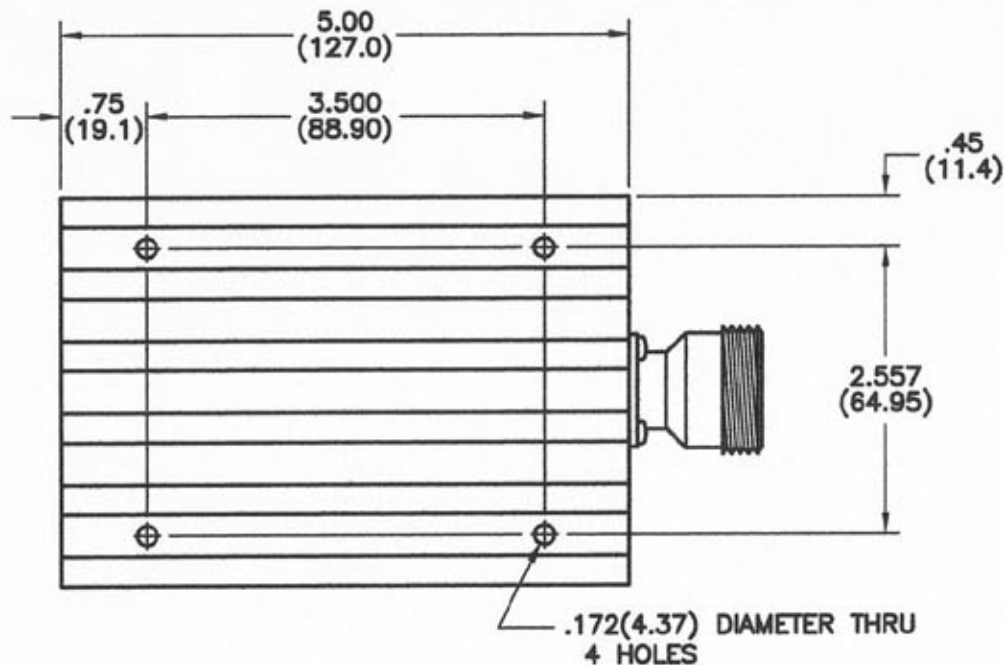


REVISIONS					
REV	ZONE	DESCRIPTION	DATE	BY	ECO
A	4A	REVISED VSWR SPECIFICATIONS	12-1-08	GVC	---



SPECIFICATIONS

FREQUENCY RANGE - DC TO 6.0 GHz

IMPEDANCE - 50 OHMS

VSWR (DC - 2.0 GHz) - 1.20:1

(2.0 - 4.0 GHz) - 1.35:1

(4.0 - 6.0 GHz) - 1.40:1

INPUT POWER (AVG.) - 100 WATTS

(PEAK) - 2000 WATTS

OPERATING TEMPERATURE - -55°C TO +125°C

CONNECTOR - 7/16 DIN FEMALE

DIMENSIONS: INCHES
(MILLIMETERS)

TOLERANCES		THE INFORMATION CONTAINED IN THIS DOCUMENT IS THE PROPERTY OF MICROWAVE DEVICES, INC. AND IS PROPRIETARY. IT IS NOT TO BE COPIED OR USED FOR ANY PURPOSE OTHER THAN AS INSTRUCTED, IN WRITING, BY MICROWAVE DEVICES, INC.	SIGNATURES		DATE
DECIMAL ± .03	FRACTION ±		DR	G.V. Cothron	9-5-08
.XXX ± .010 ANG ±		CHK			
MATERIAL		APPD			
FINISH		APPD			
			OUTLINE, TERMINATION		
			6100L7F6, 7/16 DIN		
CAGE	SIZE	DRAWING NO.	800 and Microwave Components		
60674	B	900770-1			
DRAWING SCALE 1=1			SHEET 1 OF 1		

CONTACT: MICROWAVE DEVICES - 1150 N. GRAHAM RD. FRANKLIN, IN 48131
(317) 736-8833

DIMENSIONS ARE IN INCHES UNLESS OTHERWISE SPECIFIED.